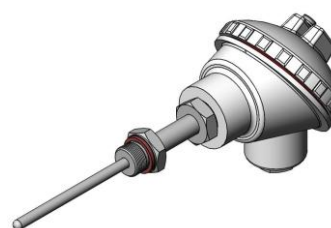


## Pt100 sensor For thermowell DIN 43772 form 4

### Model 7942000, in stock



#### Design

To be mounted into thermowell DIN 43772 form 4, former DIN 43763 form D. Replaceable, spring-loaded measurement insert.

#### Example of use

Industrial temperature measurement of gases or liquids in pipes and tanks.

#### Max. temp.

Measuring tip: 600°C

#### Measurement insert

Pt100 detector IEC 60751 class A.  
Replaceable with part no 7264200

#### Terminal head

Adjustable head with screw-on lid.  
Cable gland M20x1.5

#### Signal termination

4-wires available from sensor. 3- and 2-wire configuration can be established by connecting to the corresponding terminals.

#### Certificate

Measuring value: Test report according to EN10204 3.1 (at 0°C).

#### Accessories

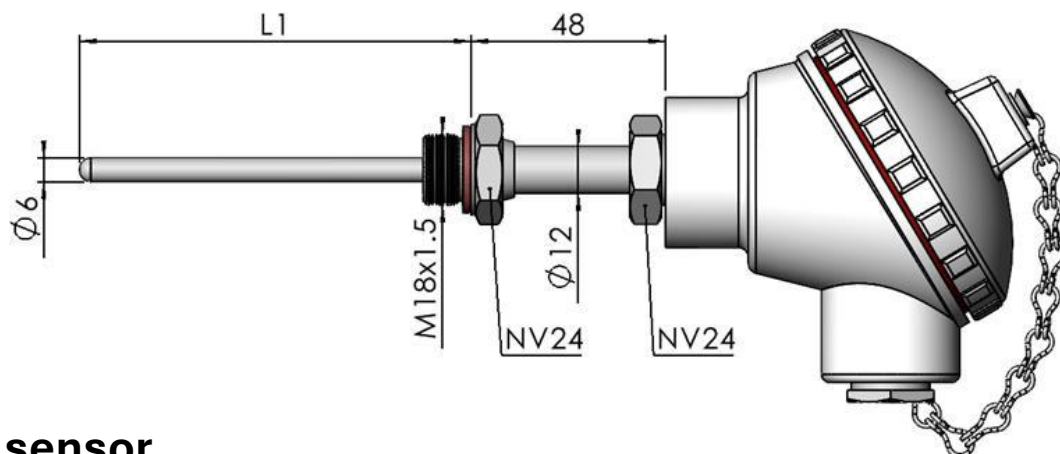
- Thermowell, see model 9055020.
- Weld-in mounting boss, see model 9055040.
- Slotted bushing to be put over measuring insert reduce influence of air gaps and vibrations. For insert Ø 6.0 mm in thermowell model 9055020.



Part No:  
9050011-000

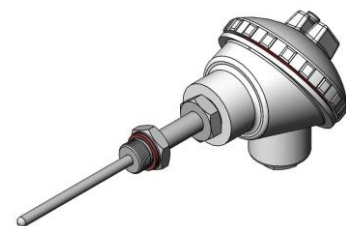
Part number Complete sensor	Thermowell Form	Insertion probe length L1 (mm)	Signal termination	Insert probe length (mm)	Part number Insertion probe
7942000-001	D1	140	Stripped wires	215	7264200-394
7942000-002	D1	140	Transmitter *)	215	7264200-394
7942000-003	D1	140	Therminal block	215	7264200-394
7942000-004	D2 and D4	200	Stripped wires	275	7264200-396
7942000-005	D2 and D4	200	Transmitter *)	275	7264200-396
7942000-006	D2 and D4	200	Therminal block	275	7264200-396
7942000-007	D5	260	Stripped wires	335	7264200-395
7942000-008	D5	260	Transmitter *)	335	7264200-395
7942000-009	D5	260	Therminal block	335	7264200-395

\*) Transmitter to be ordered separately



## Pt100 sensor For thermowell DIN 43772 form 4

### Model 7942000, build to order



#### Design

To be mounted into thermowell DIN 43772 form 4, former DIN 43763 form D. Replaceable, spring-loaded measurement insert.

#### Application example

Industrial temperature measurement of gases or liquids in pipes and tanks.

#### Max. temp.

Measuring probe 250 or 600 °C, depending on insertion probe.

#### Replaceable insertion probe

Mätelement (IEC 60751)
Pt100 Class A
Pt100 1/3 DIN
Pt100 1/5 DIN
Pt100 1/10 DIN

Model	Max Temp
7264001	250°C
7264200	600°C

Length L1 (mm)	Length Insert (mm)	Probe outer diameter (mm)	Thermowell form
140	215	6,0	1
200	275	6,0	2 och 4
260	335	6,0	5

#### Terminal head

Fixed mounted head with screw-on lid, DNAG.  
Adjustable head with screw-on lid, DNAG.  
Cable gland M20x1.5.

Type	Lid	Material
DNAG	Screw-on lid	Grey lacquered aluminium
Form B	Lid with fastening screws	Grey lacquered aluminium
DAN	Hinge lid	Grey lacquered aluminium
BBK	Screw-on lid	Glas fibre armoured Polyamid
SEG	Screw-on lid	Stainless steel

#### Signal termination 4-wire connection

Stripped wires  
Transmitter **NB! To be ordered separately!**  
Terminal block

#### Certificate

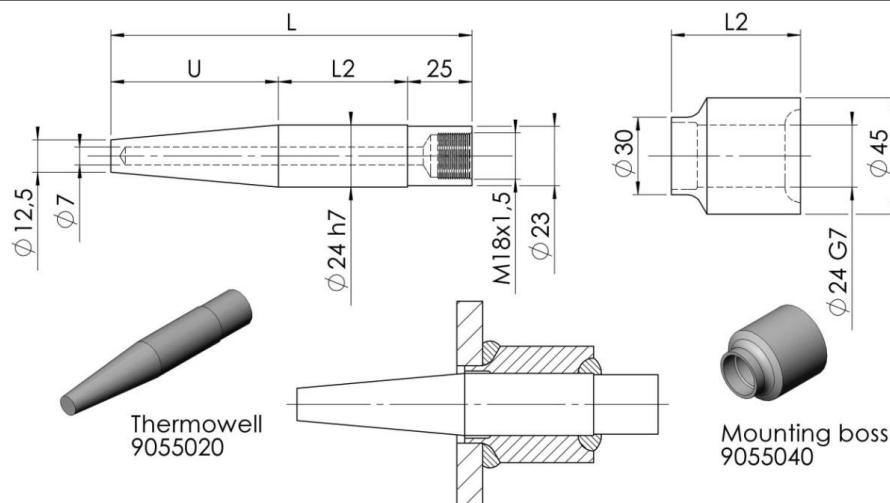
Measuring value: Test report according to EN10204 3.1 (at 0°C).

#### Accessories

- Thermowell, see model 9055020.
- Weld-in mounting boss, see model 9055040.
- Slotted bushing to be put over measuring insert to reduce influence of air gaps and vibrations. For insert  $\varnothing$  6.0 mm in thermowell model 9055020.



Part No:  
9050011-000



## Thermowell and mounting boss, DIN form 4

### Model 9055020 and 9055040, in stock

#### Design

Thermowell and mounting boss as per DIN 43772 form 4, (D)

#### Example of use

Temperature measurements in critical pressure applications. Insertion probes models 7942000 and 8108300 are dedicated to this thermowell.

#### Maximum pressure and temperature

According to DIN 43772.

#### Marking

Thermowell and boss are permanently marked with material grade and charge number.

#### Certificates

Material: Test certificate EN10204 3.1

#### Third-party approval

The well is third-party approved by DEKRA, approval number K1500932. Certificate can be ordered.

#### Pressure and temperature limits

See graphs on the following pages for respective material.

Graph No	Material	Material (EN)	Standard
1	SS-2348-27	1.4404	EN 10272
2	13CrMo44	1.7335	DIN 17243
3	Inconel 600	2.4816	ASTM B166-99
4	Hastelloy C-276	2.4819	ASTM B574-99α
5	C22.8	1.0460	DIN 17243
6	SS-2350-27	1.4571	EN 10272
7	SS-2218-04 (10CrMo9-10)	1.7380	EN 10273

#### Part numbers and dimensions

Part No Thermowell	Thermo well Form	Part No Mountiong boss	Material	U (mm)	L2 (mm)	L (mm)
9055020-001	D1	9055040-001	1.4432 <i>or equivalent</i>	65	50	140
9055020-031	D1	9055040-031	1.7335 (13CrMo44)	65	50	140
9055020-071	D1	9055040-071	1.0460 (C22.8)	65	50	140
9055020-002	D2	9055040-001	1.4432 <i>or equivalent</i>	125	50	200
9055020-032	D2	9055040-031	1.7335 (13CrMo44)	125	50	200
9055020-072	D2	9055040-071	1.0460 (C22.8)	125	50	200
9055020-004	D4	9055040-004	1.4432 <i>or equivalent</i>	65	110	200
9055020-034	D4	9055040-034	1.7335 (13CrMo44)	65	110	200
9055020-074	D4	9055040-074	1.0460 (C22.8)	65	110	200
9055020-005	D5	9055040-004	1.4432 <i>or equivalent</i>	125	110	260
9055020-035	D5	9055040-034	1.7335 (13CrMo44)	125	110	260
9055020-075	D5	9055040-074	1.0460 (C22.8)	125	110	260