

Thermocouple Protection tube Kanthal or 353 MA with terminal head

Model 8109000, in stock

Construction

Outer protection tube material Kanthal or 353 MA high temperature steel. Replaceable measuring insert.

Example of use

Measuring high temperatures of incinerators of district heating boilers.

Maximum temperature

Protection tube: 1200 °C
Insert: 1200 °C

Insert, replaceable (model 8104001)

Metal sheath: Inconel 600
Class: 1 (IEC 60584-2)
Thermocouple type: K or N
Measuring junction: isolated
Diameter: Ø6 mm
Length = L1+27 mm

Process connection

Neck tube to be fixed with e.g. flange or compression fitting, see "Accessories".

Dimensions and article numbers

Article number Housing incl. Insert type K	Article number Housing incl. Insert type N	L1 mm	Ød mm	Material Protection tube	Signal connection	Article number Insert type K	Article number Insert type N
8109001-180	8109001-237	500	15.0	Kanthal	Flying leads	8104001-232	8104001-242
8109001-228	8109001-238	500	15.0	Kanthal	Transmitter	8104001-233	8104001-243
8109001-229	8109001-239	500	15.0	Kanthal	Terminal block	8104001-210	8104001-212
8109001-225	8109001-234	700	21.3	353 MA	Flying leads	8104001-229	8104001-239
8109001-226	8109001-235	700	21.3	353 MA	Transmitter	8104001-230	8104001-240
8109001-227	8109001-236	700	21.3	353 MA	Terminal block	8104001-231	8104001-241
8109001-230	8109001-240	1000	22.0	Kanthal	Flying leads	8104001-234	8104001-244
8109001-231	8109001-241	1000	22.0	Kanthal	Transmitter	8104001-235	8104001-245
8109001-246	8109001-242	1000	22,0	Kanthal	Terminal block	8104001-128	8104001-246
8109001-232	8109001-243	1300	21.3	353 MA	Flying leads	8104001-236	8104001-247
8109001-233	8109001-244	1300	21.3	353 MA	Transmitter	8104001-237	8104001-248
8109001-212	8109001-245	1300	21.3	353 MA	Terminal block	8104001-238	8104001-249

Terminal head

Fixed to the tube mounted head.
Cable gland nut M20x1,5.

Signal connection

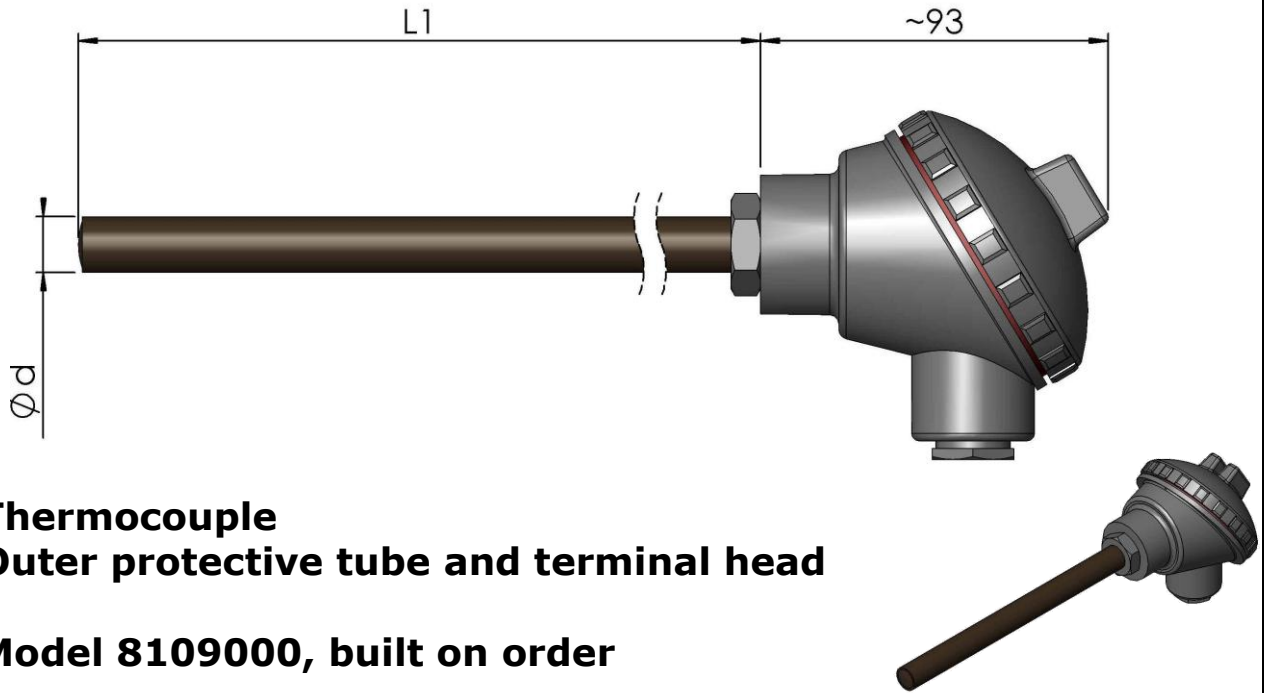
See table. Transmitter to be specified separately.

Certificate

Test result: Certificate as per EN10204 3.1

Accessories

Article number	Model	Suits neck Ød2
23-04030	Mounting flange UZ 21-15	15 mm
23-04040	Mounting flange UZ 21-22	21.3 mm 22.0 mm
23-04055	Compression fitting UG 2-15-G1/2" Graphite	15 mm
23-04050	Compression fitting UG 2-22-G1" Graphite	21.3 mm 22.0 mm



Thermocouple Outer protective tube and terminal head

Model 8109000, built on order

Construction

Housing in stainless steel or high temperature resistant steel. Replaceable insertion probe.

Example of use

Measuring temperature in combustion boilers or in district heating boilers.

Maximum temperature

Protection tube: 800-1200 °C (see note)
Insertion probe: 1200 °C

Insertion probe, replaceable (model 8104001)

Metal sheathed thermocouple in Inconel 600 or ceramic rod.

IEC 60584-2 class 1

Types: K or N

Measuring junction: isolated

Diameter: Ø6 mm

Length = L1+27 mm

Housing

Material	Ød diameter, mm
Kanthal	15.0 19.0 22.0
1.4893 (253 MA)	17.2 21.3
353 MA	21.3
1.4749 (4C54)	17.2 21.3
2.4816 (Inconel 600)	8.0 10.0 12.7 18.0 21.3
Acid-proof stainless steel	8.0...21.3

Process connection

Position of sensor by using flange or compression fitting. See Process connections in our home page.

Note

Working temperature, environment and diameter of probe influence lifetime of the sensor. Please contact Pentronic for advice.

Terminal head

Fixed mounted head.
Cable gland M20x1.5.

Type	Lock	Material
DNAG	Screw-on lid	Grey lacquered aluminium
Form B	Lid with screws	Grey lacquered aluminium
DAN	Hinge lid	Grey lacquered aluminium
BBK	Screw-on lid	Glass armoured Polyamid
SEG	Screw-on lid	Stainless steel

Signal connection

Stripped wires

Transmitter. *To be specified separately.*

Terminal block

Dimensions

Length L1 as required.

Certificate

Test value: Certificate EN10204 3.1b

Accessories

Part no	Model	Fits neck Ød2 (mm)
23-04030	Mounting flange UZ 21-15	15
23-04040	Mounting flange UZ 21-22	21.3 22.0
23-04055	Compression fitting UG 2-15-G1/2" Graphite	15
23-04050	Compression fitting UG 2-22-G1" Graphite	21.3 22.0