

## Pt100 sensor For thermowell DIN 43772 form 4

### Model 7941000, in stock

#### Design

To be mounted into thermowell DIN 43772 form 4, former DIN 43763 form D. Replaceable, spring-loaded measurement insert.

#### Example of use

Industrial temperature measurement of gases or liquids in pipes and tanks.

#### Maximum temperature

Measuring tip: 600°C

#### Measurement insert

Pt100 detector IEC 60751 class A.  
Replaceable with part no 7264200

#### Terminal head

Adjustable head with screw-on lid.  
Cable gland M20x1.5

#### Signal termination

4-wires available from sensor. 3- and 2-wire configuration can be established by connecting to the corresponding terminals.

#### Certificate

Measuring value: Test report according to EN10204 3.1.

#### Accessories

- Thermowell, see model 9055020.
- Weld-in mounting boss, see model 9055040.
- Slotted bushing to be put over measuring insert to reduce influence of air gaps and vibrations. For insert Ø 6.0 mm in thermowell model 9055020.



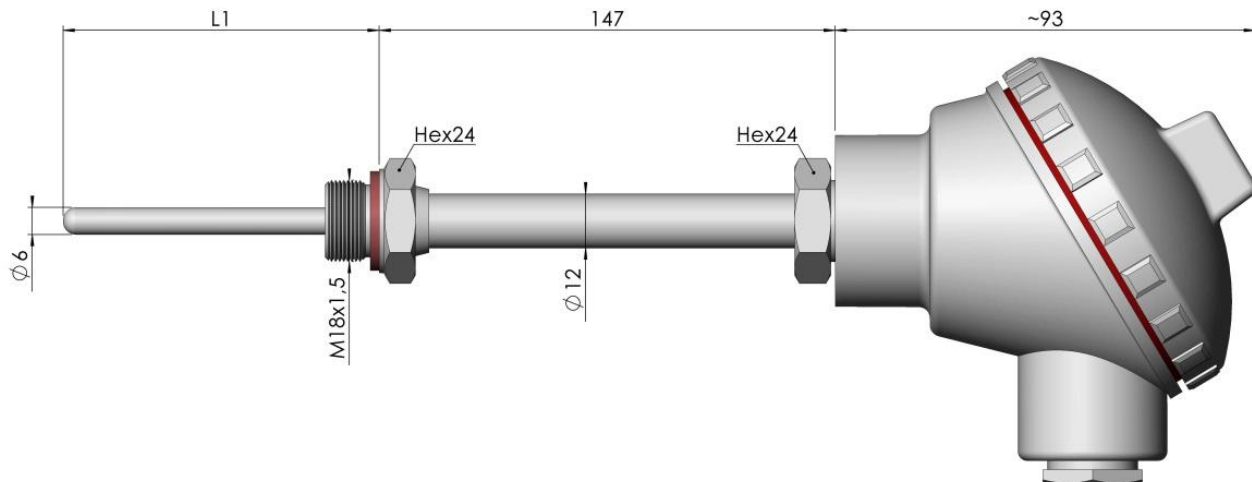
Part No:  
9050011-000

#### Dimensions and part numbers

Part number Complete sensor	Thermo well Form	Insertion probe length L1	Signal termination	Insert probe length	Part number Insertion probe
7941000-146	1	140 mm	Stripped wires	315 mm	7264200-127
7941000-147	1	140 mm	Transmitter*	315 mm	7264200-154
7941000-145	1	140 mm	Terminal block	315 mm	7264200-114
7941000-113	2 & 4	200 mm	Stripped wires	375 mm	7264200-122
7941000-149	2 & 4	200 mm	Transmitter*	375 mm	7264200-175
7941000-148	2 & 4	200 mm	Terminal block	375 mm	7264200-165
7941000-151	5	260 mm	Stripped wires	435 mm	7264200-173
7941000-152	5	260 mm	Transmitter*	435 mm	7264200-176
7941000-150	5	260 mm	Terminal block	435 mm	7264200-169

\*) Transmitter to be ordered separately.

Subject to change without prior notice.



## Pt100-sensor For thermowell DIN 43772 form 4

### Model 7941000, built to order

#### Design

To be mounted into thermowell DIN 43772 form 4, former DIN 43763 form D. Replaceable, spring-loaded measurement insert.

#### Application example

Industrial temperature measurement of gases or liquids in pipes and tanks.

#### Maximum temperature

Measuring probe 250 or 600 °C, depending on insertion probe.

#### Replaceable insertion probe

Pt100 element (IEC 60751)
Pt100 Class A
Pt100 1/3 DIN
Pt100 1/5 DIN
Pt100 1/10 DIN

Model	Max Temp
7264001	250 °C
7264200	600 °C

Length L1 mm	Length Insert mm	Probe outer diam. mm	Thermo well form
140	315	6.0	1
200	375	6.0	2 & 4
260	435	6.0	5

Please contact Pentronic to be advised in choice of construction. More dimensions available in model 7610000.

#### Terminal head

Fixed mounted head with screw-on lid, DNAG. Adjustable head with screw-on lid, DNAG. Cable gland M20x1.5.

Type	Lid	Material
DNAG	Screw-on lid	Grey lacquered aluminium
Form B	Lid with fastening screws	Grey lacquered aluminium
DAN	Hinge lid	Grey lacquered aluminium
BBK	Screw-on lid	Glas fiber armoured Polyamid
SEG	Screw-on lid	Stainless steel

Signal termination 4-wire connection
Stripped wires
Transmitter <i>NB! To be ordered separately!</i>
Terminal block

#### Certificate

Measuring value: Test report according to EN10204 3.1

#### Accessories

- Thermo well, see model 9055020.
- Weld-in mounting boss, see model 9055040.
- Slotted bushing to be put over measuring insert to reduce influence of air gaps and vibrations. For insert Ø 6.0 mm in thermowell model 9055020.

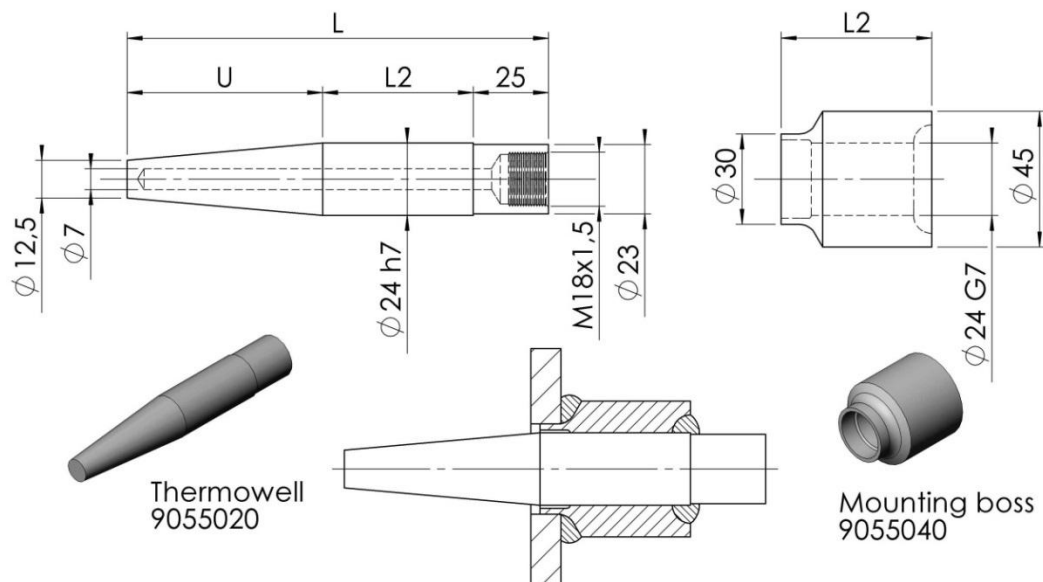


Part No: 9050011-000

251112 Pentronic 7941000 En



Pentronic AB, SE-593 96 Västervik, Sweden  
Tel +46 490 258500  
www.pentronic.se info@pentronic.se



## Thermowell and mounting boss, DIN form 4

### Models 9055020 and 9055040, in stock

#### Design

Thermowell and mounting boss as per DIN 43772 form 4, (D)

#### Example of use

Temperature measurements in critical pressure applications. Insertion probes models 7941000 and 8108300 are dedicated to this thermowell.

#### Maximum pressure and temperature

According to DIN 43772.

#### Marking

Thermowell and boss are permanently marked with material grade and charge number.

#### Certificates

Material: Test certificate EN10204 3.1

#### Third-party approval

The well is third-party approved by DEKRA, approval number K1500932. Certificate can be ordered.

#### Pressure and temperature limits

See graphs on the following pages for respective material.

Graph No	Material	Material (EN)	Standard
1	SS-2348-27	1.4404	EN 10272
2	13CrMo44	1.7335	DIN 17243
3	Inconel 600	2.4816	ASTM B166-99
4	Hastelloy C-276	2.4819	ASTM B574-99a
5	C22.8	1.0460	DIN 17243
6	SS-2350-27	1.4571	EN 10272
7	SS-2218-04 (10CrMo9-10)	1.7380	EN 10273

#### Part numbers and dimensions

Part No Thermowell	Name	Part No Mounting boss	Material	U (mm)	L2 (mm)	L (mm)
9055020-001	D1	9055040-001	1.4432 or equivalent	65	50	140
9055020-031	D1	9055040-031	1.7335 (13CrMo44)	65	50	140
9055020-071	D1	9055040-071	1.0460 (C22.8)	65	50	140
9055020-002	D2	9055040-001	1.4432 or equivalent	125	50	200
9055020-032	D2	9055040-031	1.7335 (13CrMo44)	125	50	200
9055020-072	D2	9055040-071	1.0460 (C22.8)	125	50	200
9055020-004	D4	9055040-004	1.4432 or equivalent	65	110	200
9055020-034	D4	9055040-034	1.7335 (13CrMo44)	65	110	200
9055020-074	D4	9055040-074	1.0460 (C22.8)	65	110	200
9055020-005	D5	9055040-004	1.4432 or equivalent	125	110	260
9055020-035	D5	9055040-034	1.7335 (13CrMo44)	125	110	260
9055020-075	D5	9055040-074	1.0460 (C22.8)	125	110	260