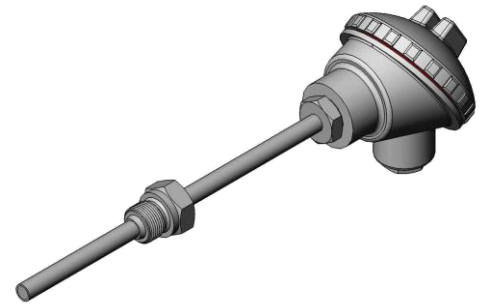


**Pt100 sensor
Protection tube "DIN B", long neck**

Model 7931000, in stock



Construction

Outer protective tube with neck and welded mounting thread Replaceable insertion probe.

Example of use

Industrial temperature measurements of gases and liquids. Neck length suited for insulated pipes and tanks.

Maximum temperature

Measuring probe: 600°C.

Replaceable insertion probe: Model No 7264200

Pt100 sensor (RTD),
IEC60751 class A.

Thermo well

Material protective tube: EN 1.4435
Diameter: 10 mm
Measuring tip with internal bushing suited for 6 mm diameter insertion probe.

Terminal head

Turnable head with screw-on lid.
Cable gland M20x1,5 mm.

Signal connection

4-wire connection
See table "Dimensions and part numbers"

Certificate

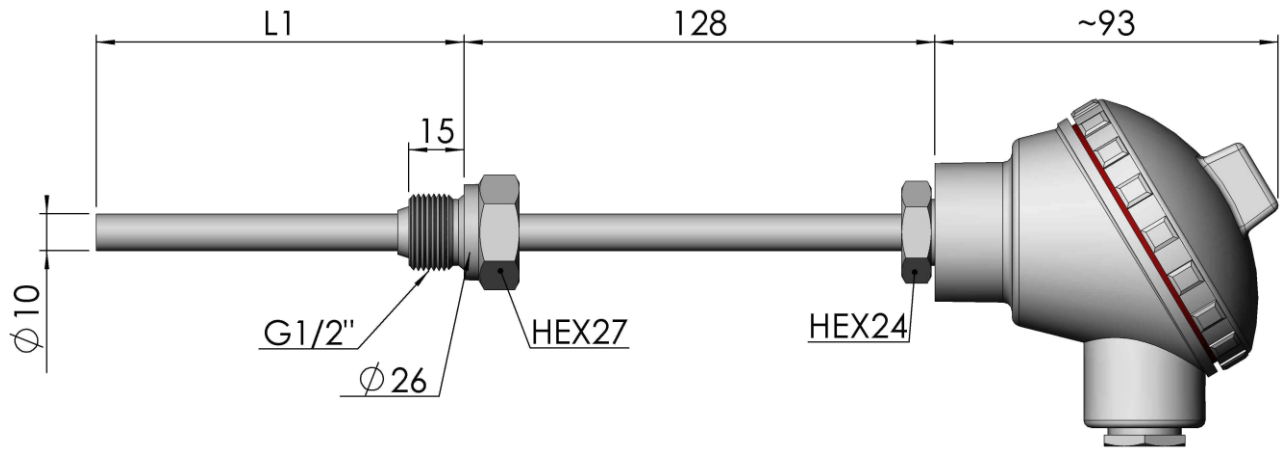
Measurement value: Test report according to EN10204 3.1

Dimensions and part numbers

Part No Complete sensor	Insertion probe length L1	Signal termination	Insert probe length	Part No Insertion probe
7931000-121	100	Stripped wires	255	7264200-126
7931000-148	100	Transmitter*	255	7264200-153
7931000-147	100	Terminal block	255	7264200-152
7931000-122	160	Stripped wires	315	7264200-127
7931000-153	160	Transmitter*	315	7264200-154
7931000-152	160	Terminal block	315	7264200-114
7931000-123	250	Stripped wires	405	7264200-128
7931000-158	250	Transmitter*	405	7264200-163
7931000-157	250	Terminal block	405	7264200-115
7931000-163	400	Stripped wires	555	7264200-136
7931000-164	400	Transmitter*	555	7264200-159
7931000-162	400	Terminal block	555	7264200-158

*) Built-in transmitter has to be specified separately.





Pt100-sensor

Protection tube "DIN B", long neck

Model 7931000, built to order

Construction

Outer protective tube with neck and welded mounting thread. Replaceable insertion probe.

Example of use

Industrial temperature measurements of gasses and liquids in pipes and tanks.

Max. temperature

Measuring probe: 250 or 600°C depending on insertion probe.

Replaceable insertion probe

Sensor detector (IEC 60751)
Pt100 class A
Pt100 1/3 DIN
Pt100 1/5 DIN
Pt100 1/10 DIN

Model	Max Temp
7264001	250 °C
7264200	600 °C

Diameter: Ø 6 mm
Length = L1+155 mm

Thermo well

Material protective tube: EN 1.4435
Diameter: 10 mm
Measuring tip with internal bushing suited for probe diameter 6 mm.

Terminal head

Turnable head. Cable gland M20x1,5 mm.

Terminal head

Fixed mounted head with screw-on lid, DNAG.
Turnable head with screw-on lid, DNAG.
Cable gland M20x1.5.

Type	Lid	Material
DNAG	Screw-on lid	Grey lacquered aluminium
Form B	Lid with fastening screws	Grey lacquered aluminium
DAN	Hinge lid	Grey lacquered aluminium
BBK	Screw-on lid	Glas fiber armoured Polyamid
SEG	Screw-on lid	Stainless steel

Signal termination

4-wire connection

Signal termination
Stripped wires
Transmitter NB. To be specified separately!
Terminal block

Certificate

Measurement value: Test report according to EN10204 3.1

Option: Model with third-party approval, K 0201230, is available on request.

Dimensions

Length L1 to be specified.