

Pt100 sensor Ventilation duct temperature

Model 7910001, in stock

Design

Outer perforated, protection tube to shield radiation heat. Replaceable insertion probe. Insertion depth adjustable through movable flange.

Example of use

Temperature measurements in air ducts.

Maximum temperature

Measuring probe: 250 °C

Insertion probe, replaceable (model 7264001)

Pt100 detector, IEC60751 class A.
Diameter: 4 mm
Length = 320 mm

Housing

Perforated at the tip with guidance for 4 mm insertion probe. Displaceable flange.
Material protection tube: Stainless steel EN 1.0038
Dimensions: Diam. 15 x 1 mm
Surface: Flange and protection tube are zinc-plated.

Process connection

With flange. Holes, see drawing

Terminal head

Terminal head with screw-on lid.
Cable gland M20x1,5.

Signal connection

4-wire configuration.
See table Part number

Certificate

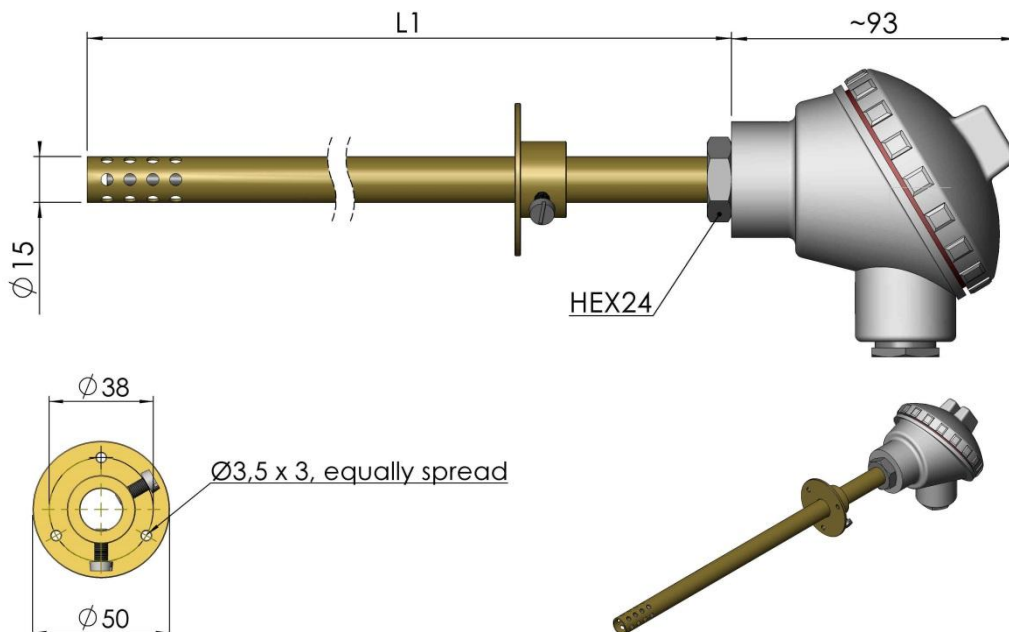
Test value: Certificate EN10204 3.1

Part number

Part number Housing with probe	Signal connection	Part number Insertion probe
7910001-002	Stripped wires	7264001-315
7910001-003	Transmitter ¹	7264001-323
7910001-001	Terminal block	7264001-324

Note 1. Transmitter is to be specified separate.

Subject to change without prior notice.



Pt100 sensor Ventilation duct temperature

Model 7910001, built on order

Design

Outer perforated, protection tube to shield radiation heat. Replaceable insertion probe. Insertion depth adjustable through movable flange.

Example of use

Temperature measurements in air ducts.

Maximum temperature

Measuring probe: 250 °C

Insertion probe, replaceable (model 7264001)

Diameter: 4 mm

L = L1 + 20 mm

Detector:

Pt100 detector (IEC 60751)
Pt100 class A
Pt100 1/3 DIN
Pt100 1/5 DIN
Pt100 1/10 DIN

Housing

Perforated at the tip with guidance for 4 mm insertion probe. Displaceable flange.

Material protection tube: Stainless steel EN 1.0038

Dimensions: Diam. 15 x 1 mm

Surface: Flange and protection tube are zinc-plated.

Process connection

With flange. Holes, see drawing.

Terminal head

Fixed mounted head with screw-on lid, DNAG. Turnable head with screw-on lid, DNAG. Cable gland M20x1.5.

Type	Lid	Material
DNAG	Screw-on lid	Grey lacquered aluminium
Form B	Lid with fastening screws	Grey lacquered aluminium
DAN	Hinge lid	Grey lacquered aluminium
BBK	Screw-on lid	Glas fiber armoured Polyamid
SEG	Screw-on lid	Stainless steel

Signal connection

4-wire configuration.

Signal connection
Stripped wires
Transmitter ¹
Terminal block

Note 1. Transmitter to be specified separately.

Certificate

Test value: Certificate EN10204 3.1

Dimensions

Length L1 as required though maximum 800 mm.

251112 Pentronic 7910001 En

