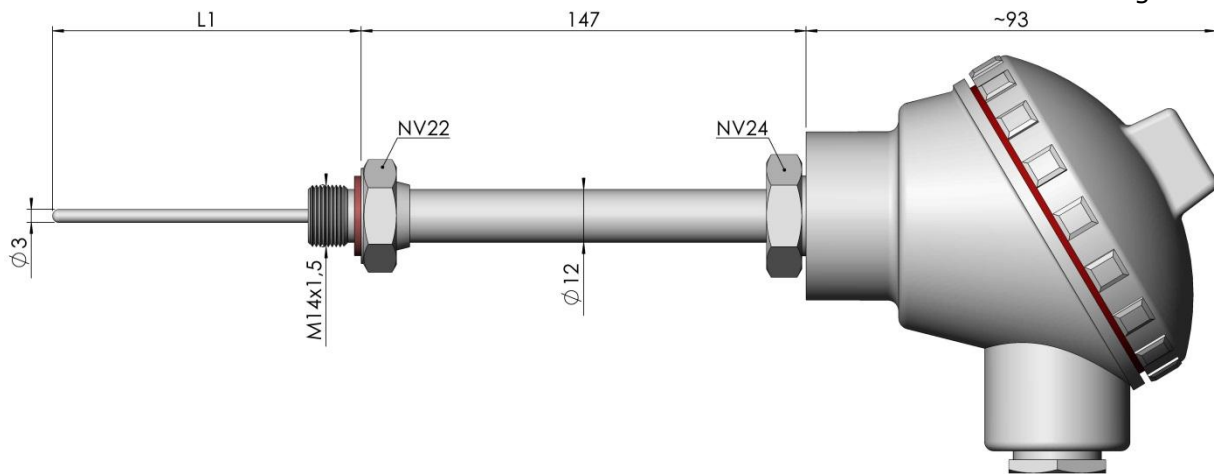


Subject to change without prior notice.



## Pt100 sensor for thermowell DIN 43772 form 4 (DS)

### Model 7614001

#### Construction

To be mounted into thermowell according to DIN 43772 form 4 (DS). Replaceable  $\varnothing$  3.0 mm Pt100 springloaded measurement insert. Thread M14 x 1.5 mm.

#### Maximum temperature

Probe tip: 250 °C.

#### Pt100 resistor

Pt100 IEC 60751 class A

#### Dimensions

Probe diameter: 3.0 mm.  
Thread M14 x 1.5 mm.

#### Inspection certificate

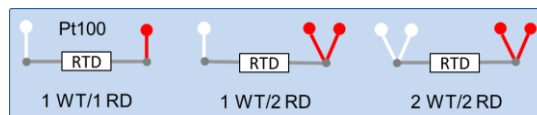
Sensor output signal: Certificate as per EN10204 3.1.

#### Accessories

Thermowell model 9055025 and weld-in boss model 9055045.

#### Signal connection

4-wire configuration



Normally the following parts will be delivered within two weeks:

Part number Housing and insert	Thermowell	L1, mm	Signal connection
7614001-159	D1S	140	Flying leads
7614001-160	D1S	140	Transmitter*
7614001-158	D1S	140	Terminal block
7614001-161	D2S & D4S	200	Flying leads
7614001-162	D2S & D4S	200	Transmitter*
7614001-151	D2S & D4S	200	Terminal block
7614001-164	D5S	260	Flying leads
7614001-165	D5S	260	Transmitter*
7614001-163	D5S	260	Terminal block

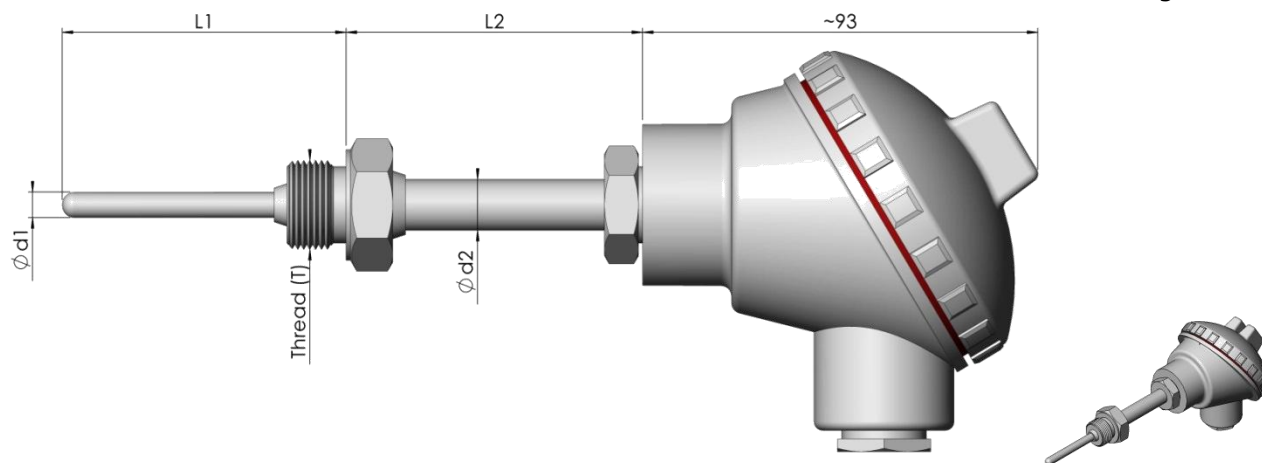
\*) See table Part Numbers and dimensions, columns Name and Materials on page 3.

\*\*\*) Transmitter has to be specified separately. See Instrumentation and Transmitters on separate data sheets.

251112 Pentronic 7614001 En



Pentronic AB, SE-593 96 Västervik, Sweden  
Tel +46 490 258500  
www.pentronic.se info@pentronic.se



## Pt100 sensor for different types of thermowells

### Model 7610000, built to order

#### Construction

To be mounted into thermowell. Replaceable, spring loaded insertion probe. For other alternatives please contact Pentronic.

#### Example of use

Industrial temperature measurements of gases and liquids in pipes and tanks.

#### Maximum temperature

Measuring tip: 250 or 600°C depending on design of insertion probe.

#### Replaceable insertion probe

##### **Pt100 resistor (IEC 60751)**

Pt100 Class A

Pt100 1/3 DIN

Pt100 1/5 DIN

Pt100 1/10 DIN

Length = L1+L2+27 mm

#### Neck

Ø d2	Material
10 mm	EN 1.4435
12 mm	EN 1.4435
15 mm	EN 1.4435

#### Process connection

Thread, G	HEX (mm)
G 1/2"	27
G 3/4"	32
G 1"	41
M14 x 1.5	22
M18 x 1.5	24
1/2" NPT	22

#### Terminal head

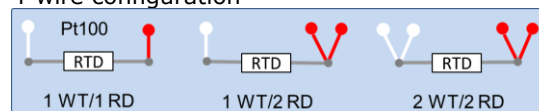
Adjustable terminal head.

Cable gland M20x1,5. Al. = aluminium

Type	Lid	Material
DNAG	Screw-on lid	Grey lacquered al.
Form B	Lid with fixing screws	Grey lacquered al.
DAN	Hinged lid	Grey lacquered al.
BBK	Screw-on lid	Glass fibre armoured Polyamid
SEG	Screw-on lid	Stainless steel

#### Signal connection

4-wire configuration



#### Signal connection

Flying leads

Transmitter, *to be specified separately*

Terminal block

#### Inspection certificate

Sensor output signal: Certificate as per EN10204 3.1

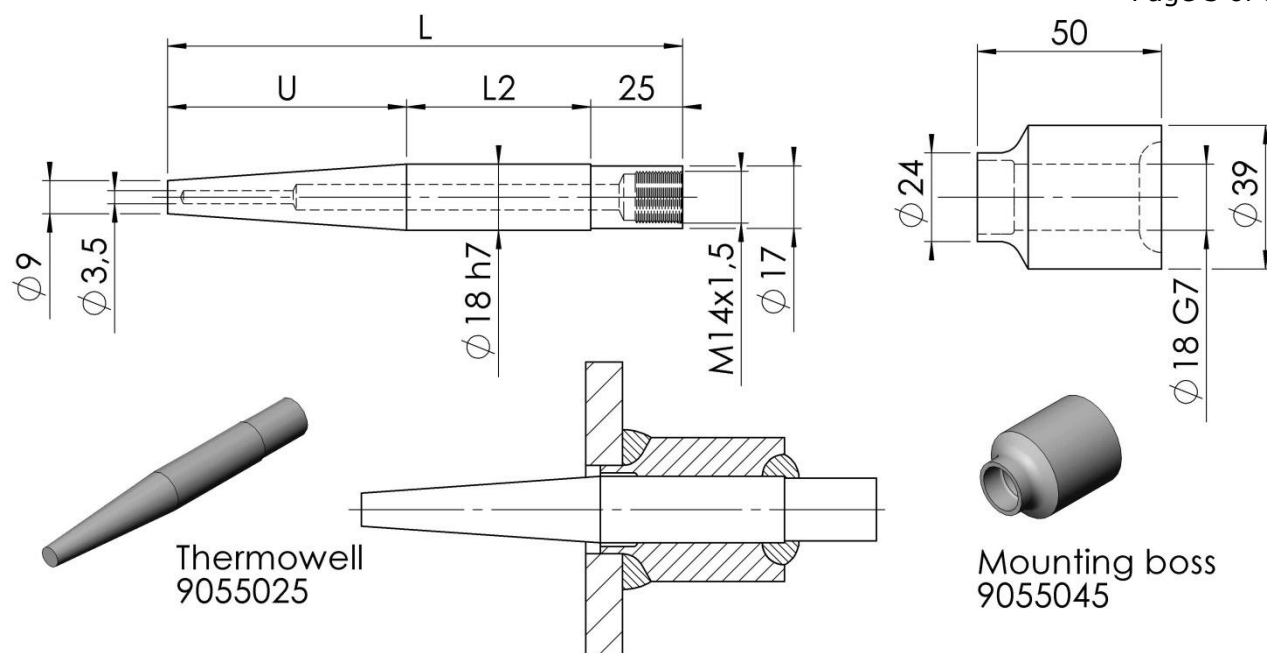
#### Accessories

Thermowell, see models 9055020 and 9055025.  
Weld-in boss for thermowell, see models 9055040 and 9055045.

#### Dimensions

L1 and L2 to be specified.

Subject to change without prior notice.



## Thermowell and mounting boss for weld-in, according to form 4 "DIN DS"

### Models 9055025 and 9055045, built to order

#### Design

Solid thermowell and weld-in mounting boss according to DIN 43772 form 4 (DS).

#### Example of use

Temperature measurements in pressure applications. The thermowell suits temperature sensor models 7614000 (Pt100) and 8108300 (thermocouple).

#### Maximum pressure and temperature for the thermowell

According to DIN 43772.

#### Marking

Thermowell and boss are permanently marked with material grade, type and charge number.

#### Certificates

Material: Test certificate EN 10204, 3.1

*Please contact Pentronic to be advised suitable design. Other dimensions on request.*

#### Dimensions and part numbers

Select *Name* and *Material* from the table.

Part No <i>Thermowell</i>	<i>Name</i>	Part No <i>Mounting boss</i>	<i>Material</i>	U (mm)	L2 (mm)	L (mm)
9055025-001	D1	9055045-001	1.4432 or equivalent	65	50	140
9055025-031	D1	9055045-031	1.7335 (13CrMo44)	65	50	140
9055025-071	D1	9055045-071	1.0460 (C22.8)	65	50	140
9055025-002	D2	9055045-001	1.4432 or equivalent	125	50	200
9055025-032	D2	9055045-031	1.7335 (13CrMo44)	125	50	200
9055025-072	D2	9055045-071	1.0460 (C22.8)	125	50	200
9055025-004	D4	9055045-004	1.4432 or equivalent	65	110	200
9055025-034	D4	9055045-034	1.7335 (13CrMo44)	65	110	200
9055025-074	D4	9055045-074	1.0460 (C22.8)	65	110	200
9055025-005	D5	9055045-004	1.4432 or equivalent	125	110	260
9055025-035	D5	9055045-034	1.7335 (13CrMo44)	125	110	260
9055025-075	D5	9055045-074	1.0460 (C22.8)	125	110	260

251112 Pentronic 7614001 En



Pentronic AB, SE-593 96 Västervik, Sweden  
Tel +46 490 258500  
www.pentronic.se info@pentronic.se