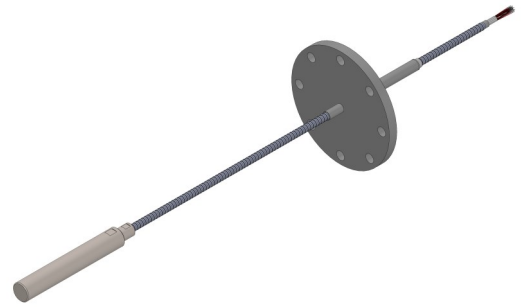


## Pt100 Multitube temperature sensor

### Cable version, built on order



#### Design

Outer flexible protection tube, flange and cable junction.

#### Example of use

Temperature measurements in tanks for energy storage.

Pt100 element (IEC 60751)
Pt100 A

**Max. temp.**  
250 °C

**Min. temp.**  
-50 °C

#### Number of sensors

8-32 pieces inbuilt, distance between sensors to be specified on request.

#### Diameter

Depends on number of sensors

#### Lengths

L1 and L2, specified by customer.

#### Cable junction

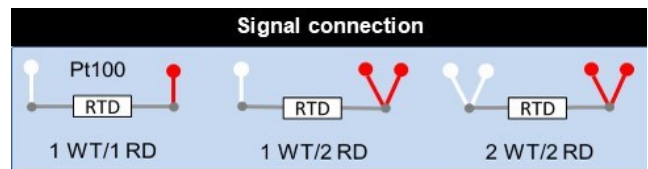
Ø 25x197

#### Process connection

Flange according to EN 1092-1 or ANSI B 16.5.  
Material: EN 1.4404/1.4432/1.4435

#### Weight

Ø 45 mm mounted in the front  
*Weight depends on length and number of sensors.*



#### Cable information

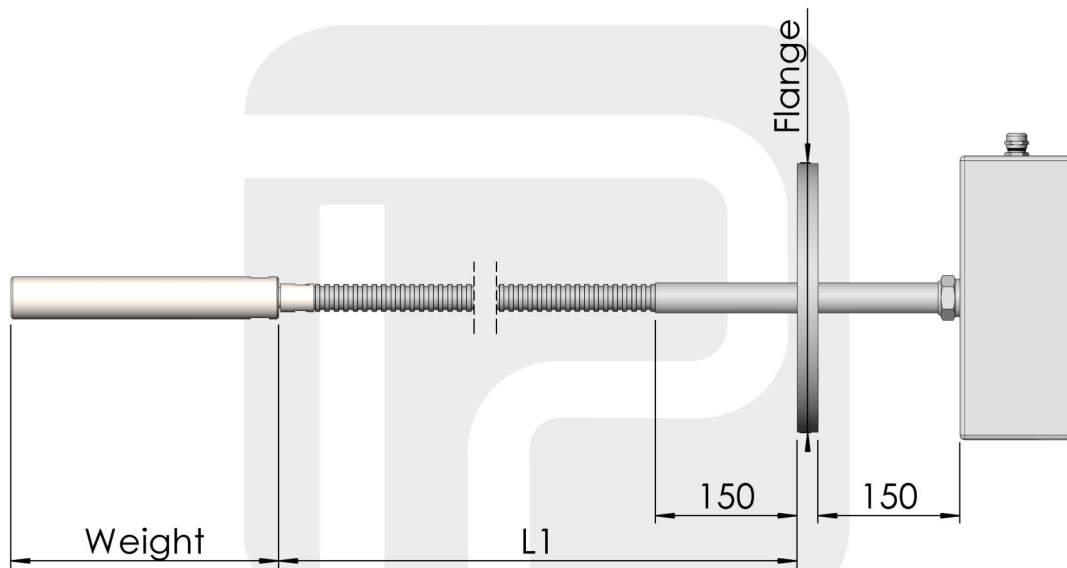
4-wire configuration PFA-insulated cable (0.3 mm<sup>2</sup> = AWG 22) with flying leads

Connection options
Stripped wires

#### Certificate

Test value: Certificate EN10204 3.1

*For advice, please contact Pentronic*



## Pt100 Multitube temperature sensor

### Connection box version, built on order

#### Design

Outer flexible protection tube, flange and connection box.

#### Example of use

Temperature measurements in tanks for energy storage.

Pt100 element (IEC 60751)
Pt100 A

**Max. temp.**  
250 °C

**Min. temp.**  
-50 °C

**Number of sensors**  
8-32 pieces inbuilt, distance between sensors to be specified on request.

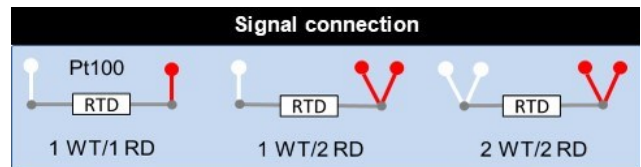
**Diameter**  
Depends on number of sensors

**Lengths**  
L1 and L2, specified by customer.

**Connection box**  
Size depends on number of sensors and choice of transmitter, material stainless steel.

**Process connection**  
Flange according to EN 1092-1 or ANSI B 16.5.  
Material: EN 1.4404/1.4432/1.4435

**Weight**  
Ø 45 mm mounted in the front.  
*Weight depends on length and number of sensors.*



#### Cable information

4-wire configuration PFA-insulated cable (0.3 mm<sup>2</sup> = AWG 22) with flying leads.

Connection options
Transmitter
Terminal block
Stripped wires

#### Certificate

Test value: Certificate EN10204 3.1

*For advice, please contact Pentronic*