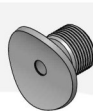


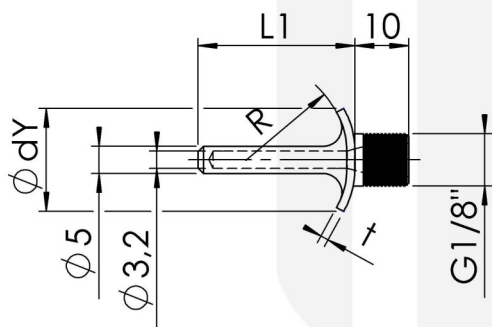
Boss



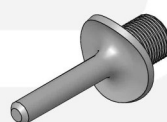
Flange with radius



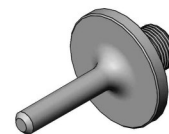
Flat flange



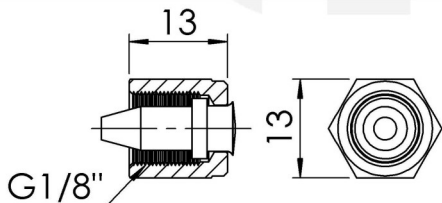
Thermowell



Flange with radius



Flat flange



Dummy plug

## Accessories model 3110, 7913/7914 and 7960 Boss, thermowell and dummy plug for hygienic installation

### Model 9025001, 9025010 and 9026010, in stock

**Example of use**

Installation of hygienic sensors model numbers 3110572/3115075, 7913101/7914101 and 7960000.

**Material**

Stainless steel 1.4432/316L or equivalent.

**Installation to media**

Weld-in boss or thermowell. By 3A approved applications the requirement of welding is surface finish  $Ra \leq 0.8$ .  
Insert length =  $L1 - t$

**3A, 74-07**

Weld-in thermo well 9026010 and 9026015

Available marked 3A, 74-07

Designed for CIP/SIP

Maximum temperature: 200 °C

Material: Test certificate as per EN 10204 3.1

**For information about EHEDG:**

See the page for Quality and sustainability on Pentronic's website [www.pentronic.se](http://www.pentronic.se).

Dimensions <sup>1</sup> and part numbers						
Part number	Model	L1 mm	Thickness t, mm	Radius R, mm	Outer diam dY, mm	Fits sensor dimensions, mm
9025001-000	Boss		1,25	Flat	18	Ø3,1x15 & Ø3,1x25
9025001-019	Boss		1,25	19	18	Ø3,1x15 & Ø3,1x25
9025001-100	Boss		1,5	Flat	18	Ø3,1x15 & Ø3,1x25
9025001-119	Boss		1,5	19	18	Ø3,1x15 & Ø3,1x25
9025001-200	Boss		2,0	Flat	18	Ø3,1x15 & Ø3,1x25
9025001-219	Boss		2,0	19	18	Ø3,1x15 & Ø3,1x25
9026015-015	Thermowell <sup>2</sup>	19	1,25	19	19	Ø3,1x15
9026015-025	Thermowell <sup>2</sup>	29	1,25	19	19	Ø3,1x25
9026010-001	Thermowell <sup>2</sup>	29	3,0	Flat	25	Ø3,1x25
9025010-000	Dummy plug		-	-	-	-

1) For other dimensions and materials, please contact Pentronic 2)