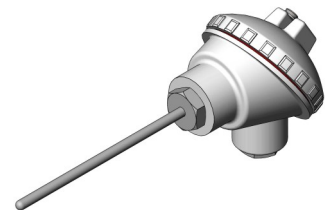


Pt100-sensor with terminal head

Model 7510000, in stock



Design

Pt100 element mounted in MI-cable

Example of use

Temperature measurements of gases and liquids in processes

Max. temp.

Probe: 600°C

Material

Probe: 1.4436

Resistor

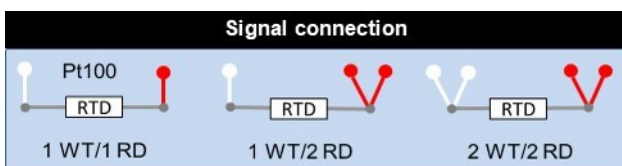
Pt100, IEC 60751, Class A

Terminal head

Fixed mounted head

DNAG as per image above

Cable gland M20x1.5



Certificate

Test value: Certificate EN10204 3.1

Accessories

Process connections, search models:

Compression fitting G1/4" Model 9042000

Compression fitting G1/2" Model 9043000

Compression fitting 1/4" NPT Model 9046000

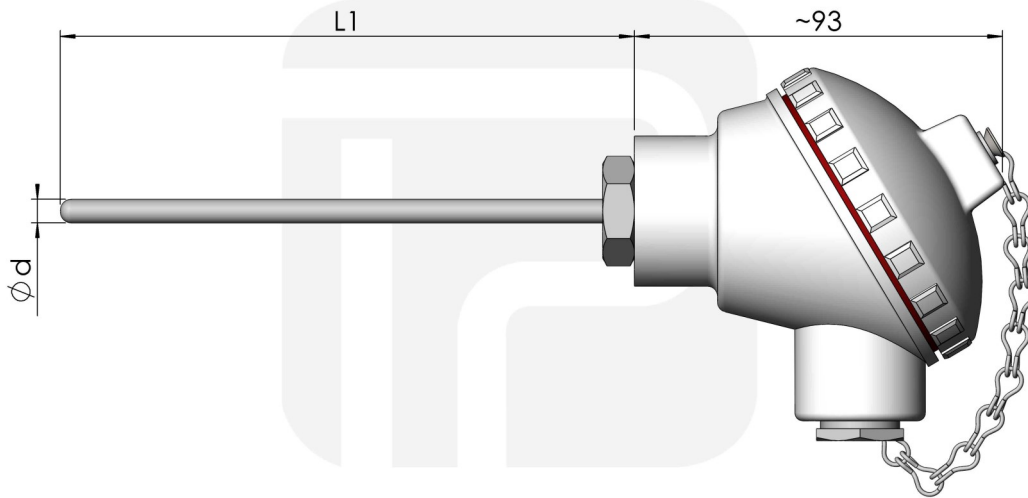
Compression fitting 1/4" NPT Model 9047000



Parts in stock			
Part No	Probe Ød (mm)	Probe length L1 (mm)	Signal connection*
7514001-167	6	148	Flying leads
7514001-140	6	148	Transmitter
7514001-124	6	148	Block
7514001-183	6	208	Flying leads
7514001-184	6	208	Transmitter
7514001-148	6	208	Block
7514001-185	6	228	Flying leads
7514001-186	6	228	Transmitter
7514001-153	6	228	Block
7514001-187	6	288	Flying leads
7514001-166	6	288	Transmitter
7514001-160	6	288	Block
7514001-177	6	348	Flying leads
7514001-192	6	348	Transmitter
7514001-191	6	348	Block
7514001-193	6	378	Flying leads
7514001-171	6	378	Transmitter
7514001-165	6	378	Block
7514001-195	6	408	Flying leads
7514001-196	6	408	Transmitter
7514001-194	6	408	Block
7514001-197	6	448	Flying leads
7514001-198	6	448	Transmitter
7514001-180	6	448	Block
7514001-199	6	528	Flying leads
7514001-200	6	528	Transmitter
7514001-173	6	528	Plint

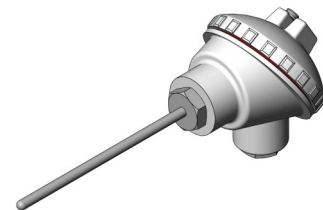
*) Transmitter to be specified separately

Can't you find suitable sensors in the table? Contact Pentronic



Pt100-sensor with terminal head

Model 7510000, built on order



Design

Pt100 element mounted in protection tube or MI-cable
Terminal head

Example of use

Temperature measurements of gases and liquids

Max. temp.

Probe: 250°C with protection tube
600°C with MI-cable

Length

L1 as required

Pt100 resistor (IEC 60751)

Pt100 Class A
Pt100 1/3 DIN
Pt100 1/5 DIN
Pt100 1/10 DIN

Material measuring probe

Ø d (mm)	Specifications	Material
4.5	MI-cable	EN 1.4436
6	Protection tube	EN 1.4404
6	MI-cable	EN 1.4436
8	Protection tube	EN 1.4435

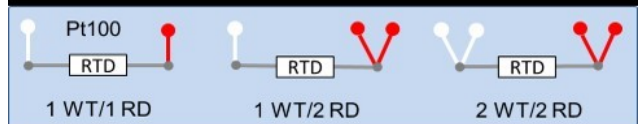
For other alternatives, contact Pentronic

Terminal head

Fixed mounted head. Cable gland M20x1.5

Type	Lid	Material
DNAG	Screw-on lid	Grey lacquered aluminium
Form B	Lid with fastening screws	Grey lacquered aluminium
DAN	Hinge lid	Grey lacquered aluminium
BBK	Screw-on lid	Glas fiber armoured Polyamid
BEG	Screw-on lid	Stainless steel

Signal connection



Connection options

Flying leads
Transmitter*
Terminal block

*) Transmitter to be specified separately

Certificate

Test value: Certificate EN10204 3.1

Accessories

Example of process connections, search models:

- Compression fitting G1/8" Model 9041000
- Compression fitting G1/4" Model 9042000
- Compression fitting G1/2" Model 9043000
- Compression fitting 1/4" NPT Model 9046000
- Compression fitting 1/2" NPT Model 9047000
- Compression fitting 1/8" NPT Model 9041000

