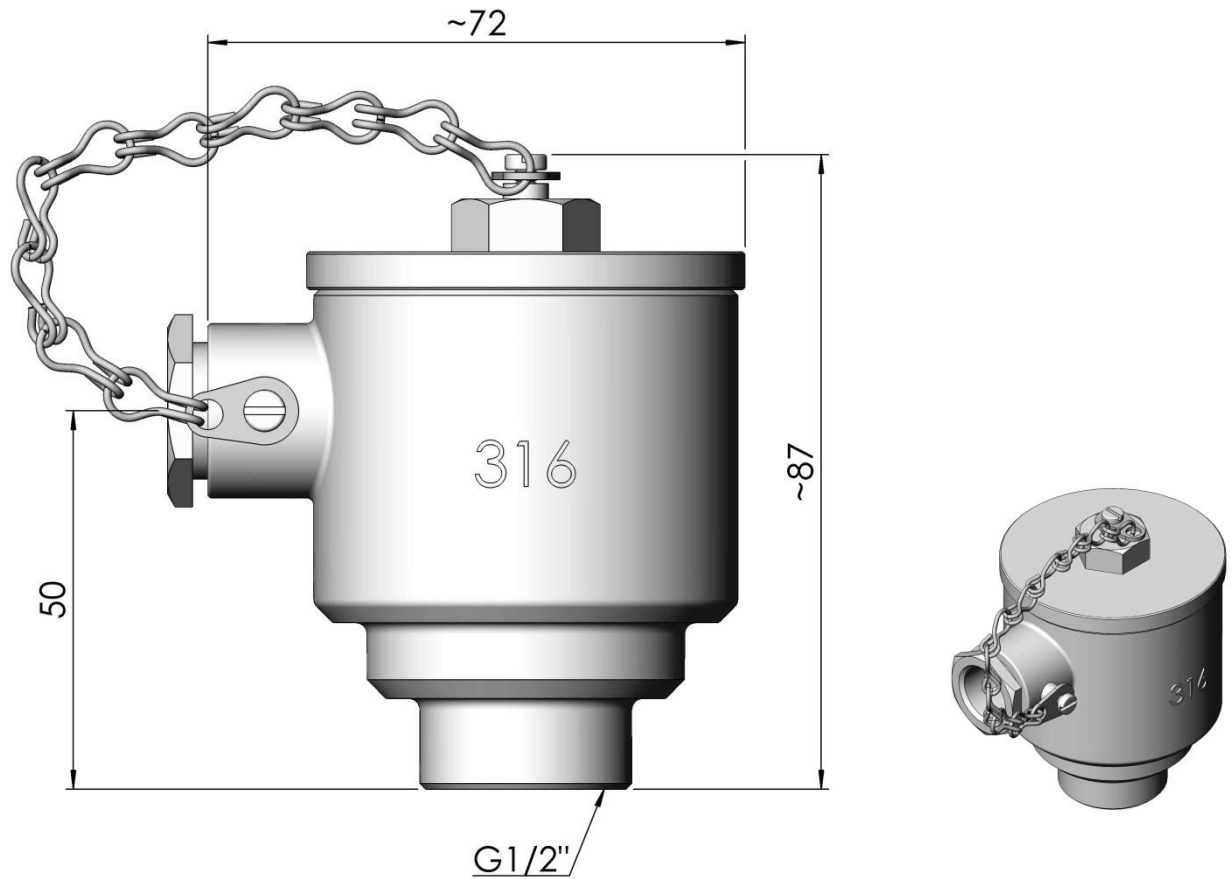


Subject to change without prior notice.



Terminal head SEG

Model 23-00253, in stock

Construction

Terminal head SEG with screw-on lid as per DIN 43729.

Example of use

Mounting of terminal block or transmitter into process sensor housing.

Maximum temperature

100 °C

Mounted transmitter will limit maximum temperature furthermore.

Sealing

EPDM-rubber

Part number

23-00253

Process connection

G1/2"

Material

Stainless steel, EN 1.4436

Cable gland

M20x1.5

IP Code

IEC 60529: IP68

140404 Pentronic 23-00253 En



Tel +46 490 258500 Fax +46 490 23766
 Pentronic AB, Bergsliden 1, SE-593 96 Västervik, Sweden
www.pentronic.se info@pentronic.se