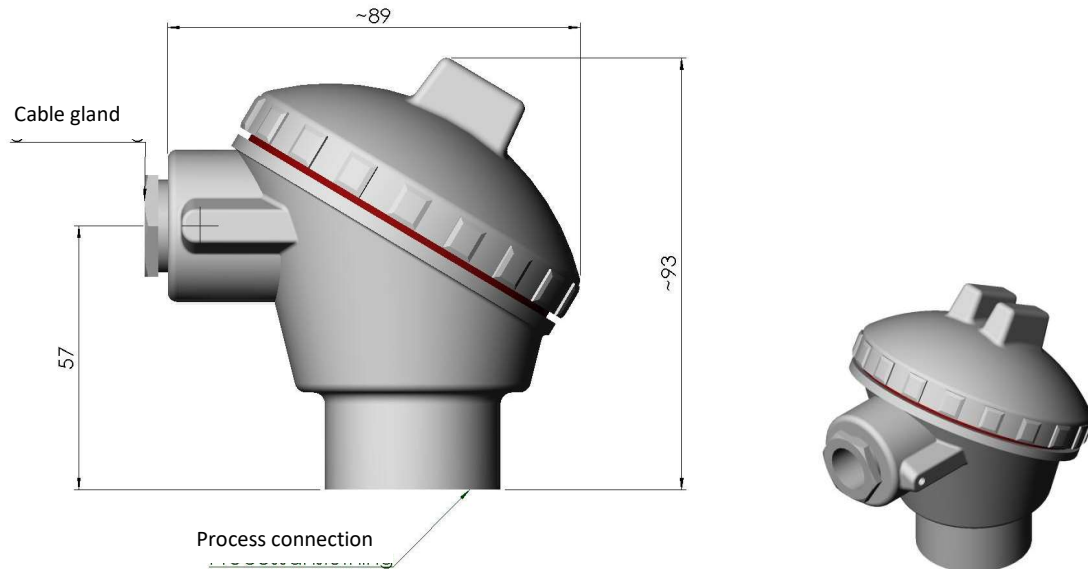


Subject to change without prior notice.



Terminal head DNAG

Model 23-00212, in stock

Construction

Terminal head DNAG with screw-on lid.
Terminal block with sensor probe is to be mounted into the head by 2 M4 screws, hole center distance 33 mm.

Example of use

Mounting of terminal block or transmitter into process sensor housing.

Maximum temperature

100 °C

By mounted transmitter the transmitter will limit maximum temperature.

Part number

23-00212

Sealing

Oil proof rubber

Material

Polyester lacquered (grey) aluminium

Process connection

Thread G1/2"

Cable gland

M20x1.5

IP Code

IEC 60529: IP54-IP68

210217 Pentronic 23-00212 En



Tel +46 490 258500 Fax +46 490 23766
Pentronic AB, Bergsliden 1, SE-593 96 Västervik, Sweden
www.pentronic.se info@pentronic.se