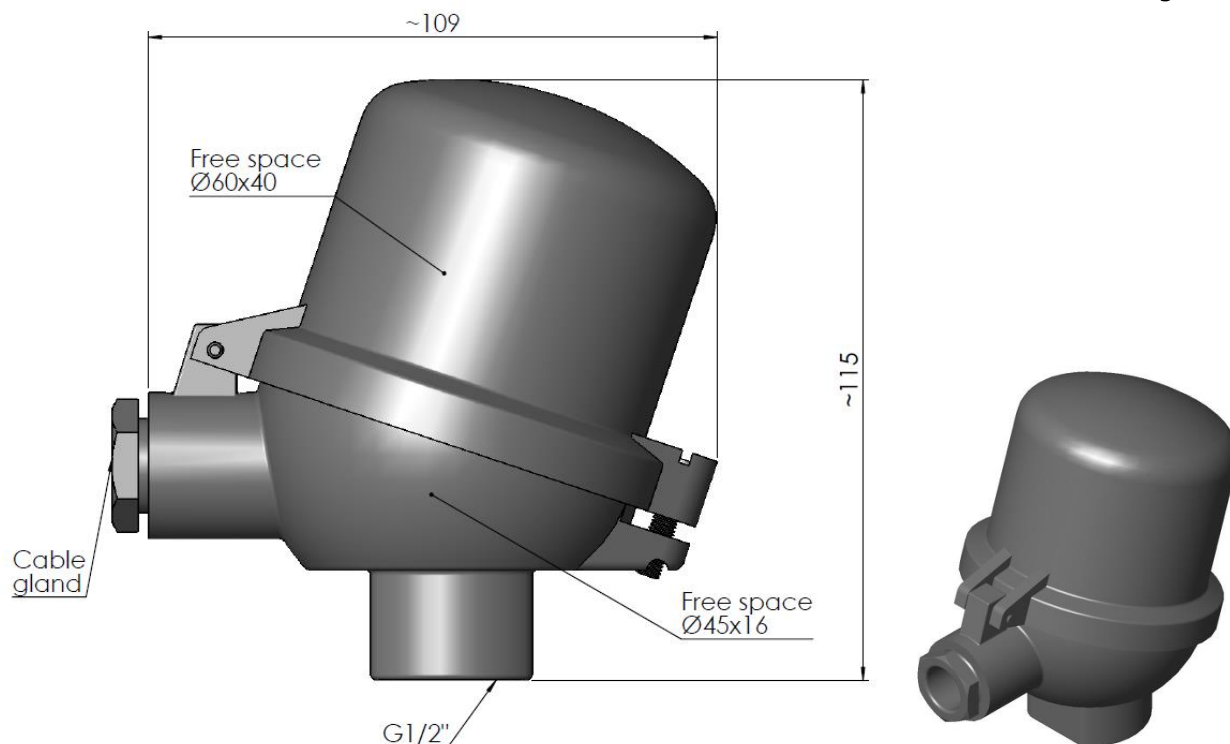


Subject to change without prior notice.



Terminal head DANW

Model 23-00205

Design

Terminal head DANW with hinged cap. Mounting on the bottom of the terminal head or in its cap with two M4 screws at 33 mm centre distance.

Example of use

Mounting of transmitter or terminal block in process sensors.

Maximum temperature

100 °C

When transmitter is mounted the temperature of the terminal head will further limited.

Sealing

Oil consistent rubber

Material

Polyester lacquered (grey) aluminium

Cable gland

M20x1.5

IP Code

IEC 60529: IP54-IP65.

Part number

23-00205

160212 Pentronic 23-00205 En



Tel +46 490 258500 Fax +46 490 23766
 Pentronic AB, Bergsliden 1, SE-593 96 Västervik, Sweden
www.pentronic.se info@pentronic.se