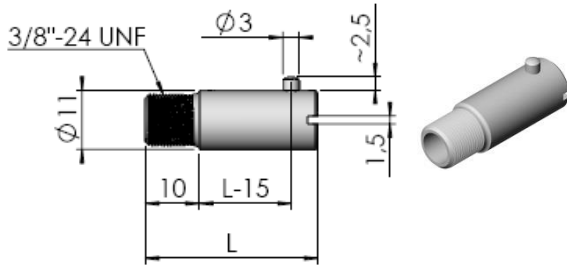
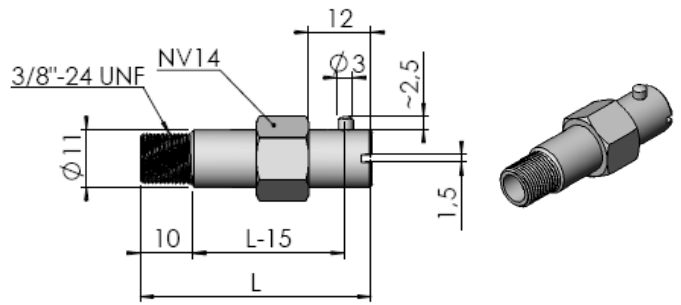


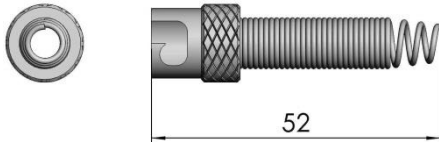
A. Slot for screwdriver



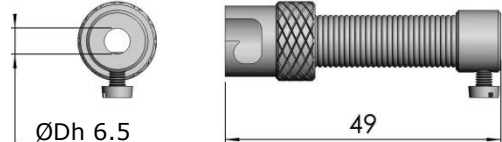
B. HEX



C. For armoured hose



D. For pipe and MI-cable



Bayonet cap and adaptor, diameter 11 mm

Models (A) 9010000 & (B) 9020000 & (C) 9030305 & (D) 9030307

Design (A, B)

Adaptor with one locking pin.

Example of use (A, B)

Mounting of springloaded sensors with bayonet cap.

Material

EN 1.4404

Part number (A, B)

Adapter-length (mm)	Part no Screwdriver slot	Part no HEX
22	9010022-000	-
32	9010032-000	9020032-000
44	9010044-000	9020044-000
51	9010051-000	9020051-000
70	9010070-000	9020070-000
83	9010083-000	9020083-000

Example of use (C, D)

By the aid of spring force draw the sensor tip to the measurement objects such as moulding tools, extruders and similar ones.

Material (C, D)

Stainless steel EN 1.4305

Part number (C)

9030305-001

Part number (D)

Part number (D)	Hole diameter, Dh (mm)
9030307-030	3.1
9030307-045	4.6
9030307-060	6.1

Design (C)

Bayonet cap with spring suited for ø6 mm armoured hose. This way you obtain continuously adjustable spring force by screwing the bayonet along the hose's "thread" track. Intended for sockets with one locking pin.

Construction (D)

Bayonet cap and locking bush are united by a spring to connect a tube or a metal sheathed cable to the process. The bushing's hole Dh is suited to common sensor diameters. Locking screw is M3. Intended for sockets with one locking pin.