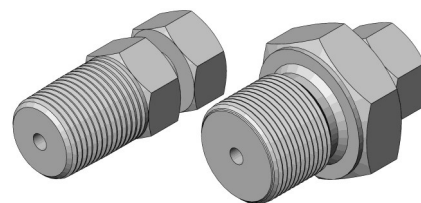


Short compression fitting 1/16"NPT, 1/8"NPT and G1/8"



Model 9048000

Design

Compression fitting in stainless steel, EN 1.4404.
Hex size cap 8 mm.
Connection thread, see table.

Example of use

Positioning/sealing of temperature sensors.

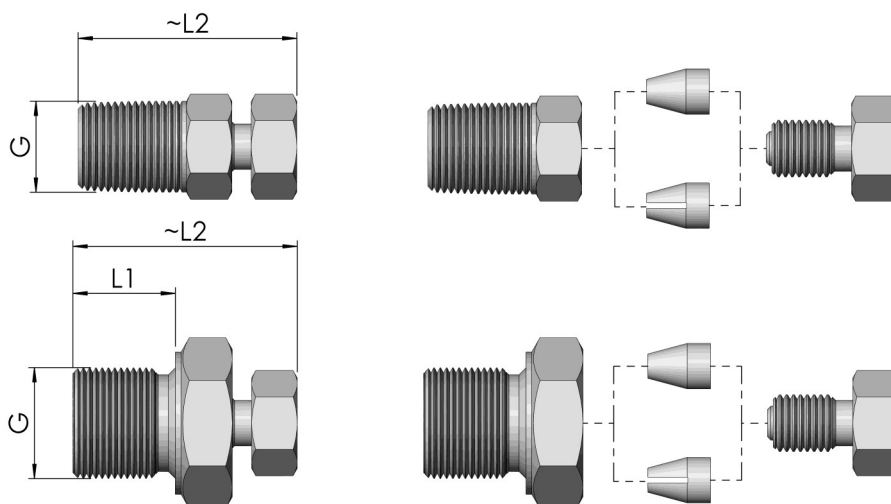
Specifications

Ferrule material EN 1.4404. Max. temp: 600°C, leak proof.
Tested at 80 Bar against leakage.

Reusable and adjustable ferrule, material EN 1.4404.
Max. temp. 600°C, for positioning only, not leak proof.

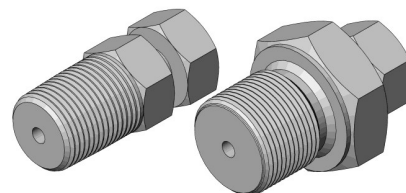
Part Number	Compression Fitting (G)	L1 (mm)	L2 (mm)	Probe Diameter (mm)	Hex Size Body (mm)	Leak Proof	Adjustable
9048004-051	1/16"NPT		~19	0.5	8	x	
9048004-081	1/16"NPT		~19	0.8	8	x	
9048004-101	1/16"NPT		~19	1.0	8	x	
9048004-103	1/16"NPT		~19	1.0	8		x
9048004-151	1/16"NPT		~19	1.5	8	x	
9048004-153	1/16"NPT		~19	1.5	8		x
9048011-051	1/8"NPT		~21	0.5	11	x	
9048011-081	1/8"NPT		~21	0.8	11	x	
9048011-101	1/8"NPT		~21	1.0	11	x	
9048011-151	1/8"NPT		~21	1.5	11	x	
9048014-051	G1/8"	9	~20	0.5	13	x	
9048014-081	G1/8"	9	~20	0.8	13	x	
9048014-101	G1/8"	9	~20	1.0	13	x	
9048014-151	G1/8"	9	~20	1.5	13	x	

See page 2 for more options



Short compression fitting

**G1/4", G1/2", M8x1, M10x1, M14x1.25,
M14x1.5, M16x1.5 and M18x1.5**



Model 9048000

Design

Compression fitting in stainless steel, EN 1.4404.

Hex size cap 8 mm.

Connection thread, see table.

Example of use

Positioning/sealing of temperature sensors.

Specifications

Ferrule material EN 1.4404. Max. temp: 600°C, leak proof.
Tested at 80 Bar against leakage.

Reusable and adjustable ferrule, material EN 1.4404.
Max. temp. 600°C, for positioning only, not leak proof.

Part Number	Compression Fitting (G)	L1 (mm)	L2 (mm)	Probe Diameter (mm)	Hex Size Body (mm)	Leak Proof
9048021-151	G1/4"	10	~21	1.5	17	x
9048027-151	G1/2"	15	~30	1.5	27	x
9048100-151	M8x1	9	~20	1.5	11	x
9048107-101	M10x1	9	~20	1.0	13	x
9048107-151	M10x1	9	~20	1.5	13	x
9048121-151	M14x1.25	10	~21	1.5	17	x
9048122-151	M14x1.5	10	~21	1.5	17	x
9048127-151	M16x1.5	12	~26	1.5	22	x
9048130-151	M18x1.5	12	~26	1.5	24	x

For alternative dimensions and materials, contact Pentronic.