

Pt100-sensor Protection tube and extension wire

Model 7300000, in stock

Design

Pt100 detector built into protection tube.
Extension wire.

Example of use

Temperature measurements in gases and liquids. NB. Only the protection tube must be exposed to liquid.

Max. temperatur

Probe: 180 °C
Extension wire: 180 °C

Measuring probe

Detector: Pt100 class A (IEC60751)

Protection tube

Material: EN 1.4435/ 1.4404.

Signal connection

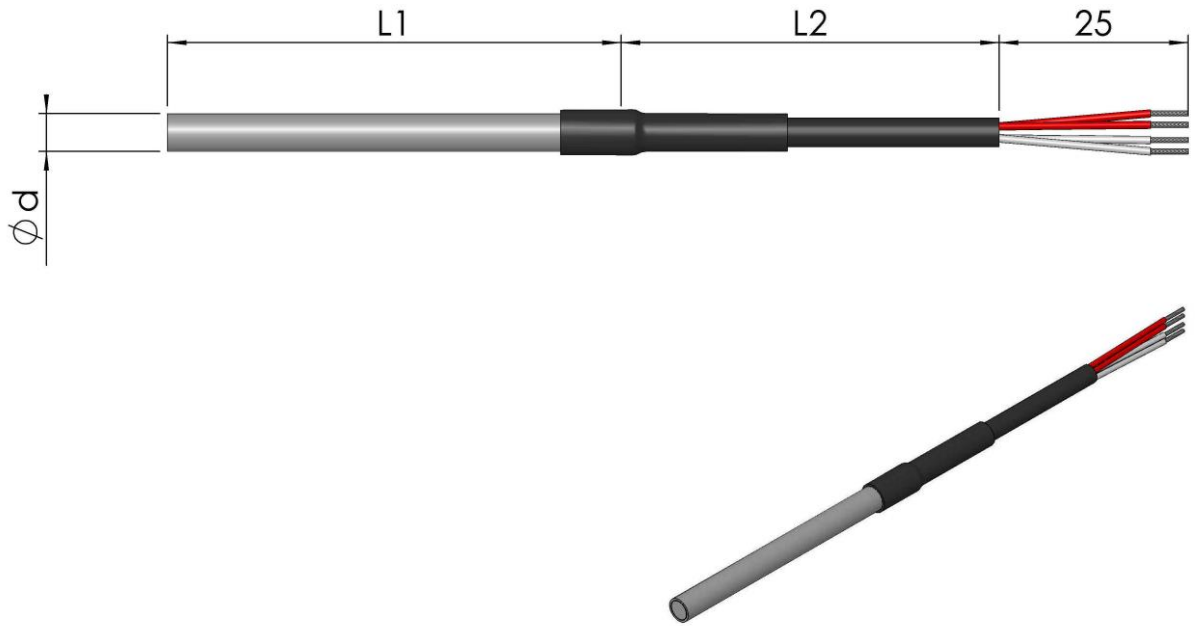
4-wire configuration. flying leads.
Silicone insulated cable TEXSITW 4 x 0,22.

Inspection certificate

Measuring value: Inspection certificate as per
EN10204 3.1

Article number

7304001-243



Pt100-sensor Protection tube and extension wire

Model 7300000, built to order

Design

Pt100 detector built into protection tube.
Extension wire.

Example of use

Temperature measurements in gases and liquids. NB. Only the protection tube must be exposed to liquid.

Max. temperatur

Probe: see "Signal connection"
Shrink tube: 100 °C
Extension wire: see "Signal connection"

Measuring probe

| Pt100 detector (IEC 60751) |
|----------------------------|
| Pt100 class A |
| Pt100 1/3 DIN |
| Pt100 1/5 DIN |
| Pt100 1/10 DIN |

Protection tube

Material: EN 1.4435 alt. EN 1.4404. Tube diameters to be chosen primarily:

| Ød mm |
|----------|
| 4.0 |
| 5.0 |
| 6.0 |
| 6.35 |

Signal connection

| Signal connection |
|---------------------------|
| Flying stripped leads |
| Connector to be specified |

| Wire configuration |
|--------------------|
| 4-wire |
| 3-wire |
| 2-wire |

| Cable design | Name | Max temp |
|-------------------|---------|----------|
| PVC-insulated | PFSK | 80 °C |
| FEP-insulated | TEXSTEX | 200 °C |
| Silicon-insulated | TEXSITW | 180 °C |

Inspection certificate

Sensor output value: Inspection certificate as per EN10204 3.1

Lengths

L1 and L2 as requested.

Please contact Pentronic for choice of suitable design