

Thermocouple Wire thermocouple in protection tube with armour Bayonet cap mounting, adjustable insertion length

Model 6203000, in stock

Construction

Wire thermocouple mounted in protection tube and stainless armoured tube. Spring loaded bayonet suspension which allows adjustable insertion depth.

Example of use

Temperature measurement of moulding tools for plastic industry.

Maximum temperature

Probe: 500 °C
Spring: 250 °C
Shrink hose: 100 °C
Extension cable: 510 °C

Probe

IEC 60584-2 Class: 1
Measurement junction: Grounded
Type: J

Process connection

Bayonet cap for mounting towards bayonet adaptor. For other bayonet caps and adaptors please contact Pentronic.

Signal connection

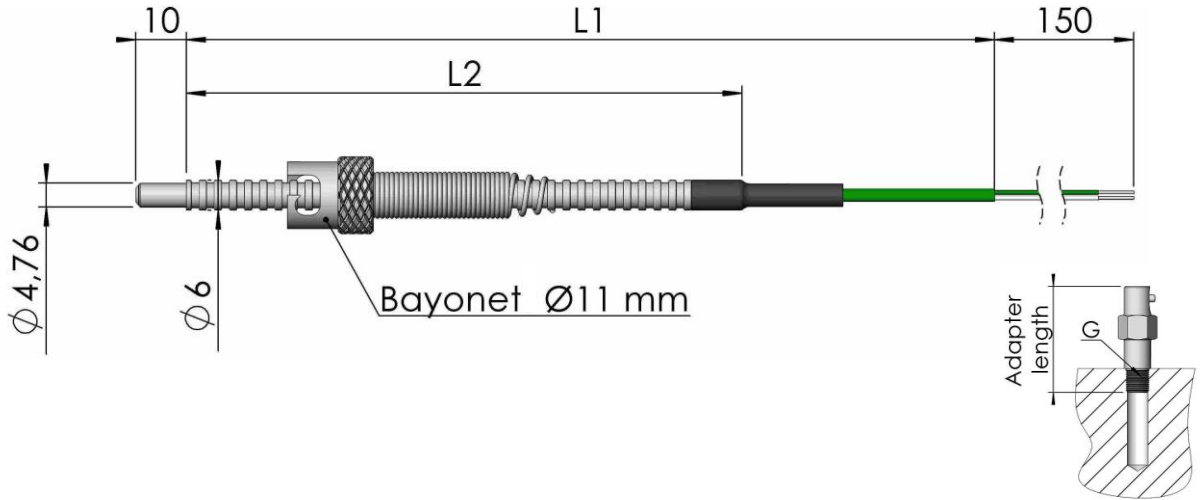
Glass-fibre insulated-wire G/G-20F-J
AWG 20 (0,5 mm²) with flying leads.
Colour code as per IEC 60584-3.

Dimensiones and part numbers

Part number	L1	L2
20-00715	1500 mm	1500 mm
20-00730	3000 mm	3000 mm

Accessories, bayonet adaptor

Adaptor length (mm)	Thread	Thread length (mm)	Part number Screw type	Part number HEX-type
22	3/8"-24UNF	10	9010022-000	
32	3/8"-24UNF	10	9010032-000	9020032-000
44	3/8"-24UNF	10	9010044-000	9020044-000
51	3/8"-24UNF	10	9010051-000	9020051-000
70	3/8"-24UNF	10	9010070-000	9020070-000
83	3/8"-24UNF	10	9010083-000	9020083-000



Thermocouple Wire thermocouple in protection tube with armour Bayonet cap mounting, adjustable insertion length

Model 6203000, built to order

Construction

Wire thermocouple mounted in protection tube and stainless armoured tube. Spring loaded bayonet suspension which allows adjustable insertion depth.

Example of use

Temperature measurement of moulding tools for plastic industry.

Max. temperatur

Probe: limited by used wire – max. 500 °C
Spring: 250 °C
Shrink tube: 100 °C

Probe

Class: 1 (IEC 60584-2)
Measurement junction: grounded
Protection tube: EN 1.4404

Type of thermocouple
K
N
J
T

Accessories, bayonet adaptor

Adaptor length (mm)	Thread	Thread length (mm)	Part number Screw type	Part number HEX-type
22	3/8"-24UNF	10	9010022-000	
32	3/8"-24UNF	10	9010032-000	9020032-000
44	3/8"-24UNF	10	9010044-000	9020044-000
51	3/8"-24UNF	10	9010051-000	9020051-000
70	3/8"-24UNF	10	9010070-000	9020070-000
83	3/8"-24UNF	10	9010083-000	9020083-000

Process connection

Bayonet cap for mounting towards bayonet adaptor. For other bayonet caps and adaptors please contact Pentronic.

Signal connection

Signal connection
Flying leads
Standard connector to be specified
Miniature connector to be specified

Cable	Maximum temperature
PTFE insulated	250-260 °C dependiing on type
Polyimid insulated	260-285 °C -"-
Glasfiber insulated	510-700 °C -"-

Colour code as per IEC 60584-3.

Length

L1 and L2 as required.